

SuDS Tree Pit Detail in soft landscape Scale 1:50

Subsoil & Topsoil Operations:

THE EXISTING SUBSOIL LAYER IS TO BE CULTIVATED/DECOMPACTED TO A DEPTH OF 350MM. SUCH WORKS ARE ONLY TO BE CARRIED OUT DURING DRY WEATHER CONDITIONS.

WHERE THERE IS PRESENCE OF STIFF CLAYS AND OTHER COHESIVE SUBSOILS THEY WILL BE RIPPED BY MEANS OF A SINGLE TINE RIPPER TO A DEPTH OF 450MM. THIS OPERATION SHALL BE CARRIED OUT WHEN THE SOIL IS IN A DRY CONDITION IN ORDER TO ACHIEVE MAXIMUM HEAVE SUBSOIL IS TO BE GRADED TO SMOOTH FLOWING CONTOURS TO ACHIEVE SPECIFIED FINISHED LEVELS OF TOPSOIL.

SUBSOIL AND TOPSOIL SHALL NOT BE HANDLED WHEN THE SOIL IS WATERLOGGED, WHEN THE MOISTURE CONTENT OF THE SOIL EXCEEDS ITS PLASTIC LIMIT AS DEFINED IN BS 1377: 1990 DURING PRECIPITATION OR UNTIL AT LEAST TWO HOURS HAVE PASSED AFTER LIGHT RAINFALL.

REMOVE ANY STONES LARGER THAN 50MM.

LANDSCAPE PLANTING AREAS IN THE WORKS SHALL BE TOPSOILED TO A MINIMUM DEPTH OF 400MM, AREAS OF GRASS SEEDING SHALL BE TOPSOILED TO A MINIMUM DEPTH OF 200MM AND 1.5 CUBIC METRES OF TOPSOIL SHALL BE MADE AVAILABLE FOR EACH TREE PIT.

IMPORTED TOPSOIL SHALL CONFORM TO BS 3882: 1994 AND SHALL BE PLACED TO ALL GENERAL PLANTING AREAS IDENTIFIED IN THE LANDSCAPE DESIGN. THE TOPSOIL GRADE SHALL BE GENERAL PURPOSE GRADE.

TOPSOIL IS TO BE SPREAD IN LAYERS NOT EXCEEDING 150MM, EACH LAYER IS TO BE LIGHTLY FIRMED BEFORE THE NEXT LAYER IS SPREAD. CARE IS TO BE TAKEN NOT TO COMPACT TOPSOIL; PRESERVE A FRIABLE TEXTURE OF SEPARATE VISIBLE CRUMBS WHEREVER POSSIBLE.

WHERE FINISHED LEVELS SHALL NOT HAVE BEEN GIVEN IN THE LANDSCAPE DESIGN, THE LEVELS SHALL BE SUCH THAT THE FINISHED SURFACE SHALL HAVE A SMOOTH EVEN FALL BETWEEN THE FINISHED LEVELS AND THE BOUNDARIES OF THE AREAS. ANY AREA UNDULY COMPACTED DURING THE WORK OR GRADING SHALL BE LOOSENED BY FORKING. THE USE OF HEAVY ROLLERS TO ROLL OUT MOUNDS SHALL NOT BE PERMITTED.

HEDGEROW & SHRUB PLANTING
HEDGEROW & SHRUB STOCK SHALL BE OF THE SIZES INDICATED ON THE PLANTING SCHEDULE ON THE LANDSCAPE PLAN.

PLANTS SHALL NOT BE GENERALLY BE PLANTED CLOSER TO A KERB OF TO THE EDGE OF A PLANTING AREAS THAN A DISTANCE EQUAL TO HALF THE SPACING INDICATED.

EXCAVATE PLANTING PITS TO A MINIMUM OF 300mm DEPTH OR TO A SUFFICIENT SIZE SO AS TO EASILY ACCOMMODATE THE ROOTBALL OF THE SHRUB.

CENTRE THE SHRUB IN THE PIT AND BACKFILL WITH EXCAVATED MATERIAL, INCORPORATING 40g/sq.m OF SLOW RELEASE FERTILISER.

SOIL SHALL BE LIGHTLY FIRMED TO ENSURE GOOD CONTACT BETWEEN PLANT ROOTS AND SOIL SUBSTRATE.

MULCH ALL ORNAMENTAL SHRUB AREAS WITH A DEPTH OF 75mm FINE GRADE BARK MULCH.

SCHEDULE OF IMPLEMENTATION:

- WHERE INDICATED, ALL TREE AND HEDGEROW PLANTING IS TO BE CARRIED OUT DURING THE FIRST WINTER SEASON, I.E. NOVEMBER TO FEBRUARY INCLUSIVE.
- WHERE INDICATED, ALL LAWN AREAS ARE TO BE PREPARED AND SEEDING DURING THE GROWING SEASON, I.E. APRIL TO OCTOBER INCLUSIVE.
- WHERE INDICATED, ALL CONTAINERISED SHRUB PLANTING MAY BE CARRIED OUT AT ANY TIME OF WHEN SOIL IS NOT FROZEN, WATERLOGGED OR EXCESSIVELY DRY.

GENERAL NOTES:

THIS DRAWING IS TO BE READ IN CONJUNCTION WITH ALL ARCHITECT/ENGINEERS DRAWINGS AND SPECIFICATIONS.

PRIOR TO ANY WORK, THE CONTRACTOR SHALL ENSURE EXACT LOCATION OF ALL SERVICES, BOTH UNDERGROUND AND OVERHEAD.

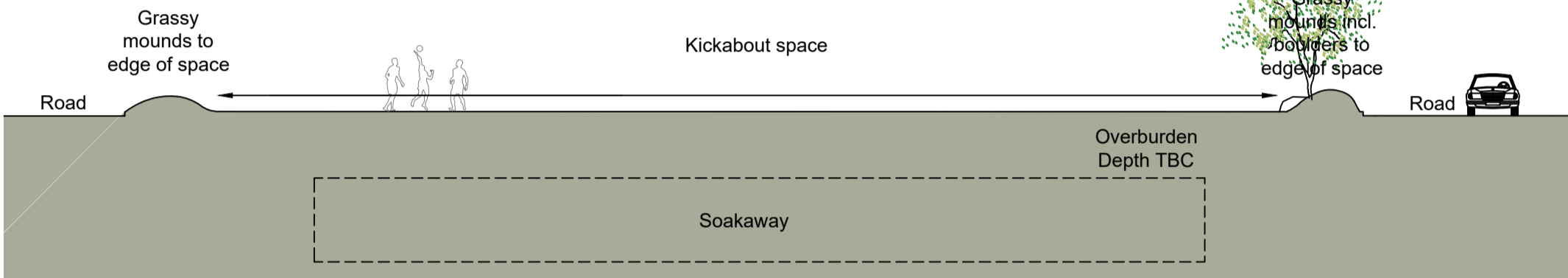
ALL PLANTING BEDS AND TREE PLANTING TO BE CARRIED OUT BY LANDSCAPE CONTRACTOR. AREAS TO BE SET OUT AND APPROVED BY LANDSCAPE ARCHITECT PRIOR TO PLANTING.

NO DAMAGE TO EXISTING BOUNDARIES OR OTHER FEATURES WITHIN SITE.

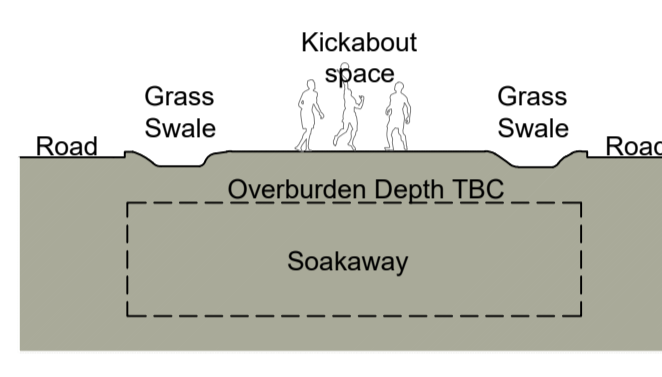
PLANT NOTES:

ALL TREES, SHRUBS AND HEDGEROW PLANTS SHALL COMPLY WITH BS 3936, SPECIFICATION FOR NURSERY STOCK. ALL PRE-PLANTING SITE PREPARATION, PLANTING AND POST PLANTING MAINTENANCE WORKS SHALL BE CARRIED OUT IN ACCORDANCE WITH THE REQUIREMENTS OF BS 4428 (1989) CODE OF PRACTICE FOR GENERAL LANDSCAPE OPERATIONS (EXCLUDING HARD SURFACES).

ALL NEW TREE PLANTING SHALL BE POSITIONED IN ACCORDANCE WITH THE REQUIREMENTS OF TABLE 3 OF BS 5837: 2005 TREE IN RELATION TO CONSTRUCTION. RECOMMENDATIONS, WHICH SPECIFIES MINIMUM DISTANCES BETWEEN NEW PLANTING AND STRUCTURES.



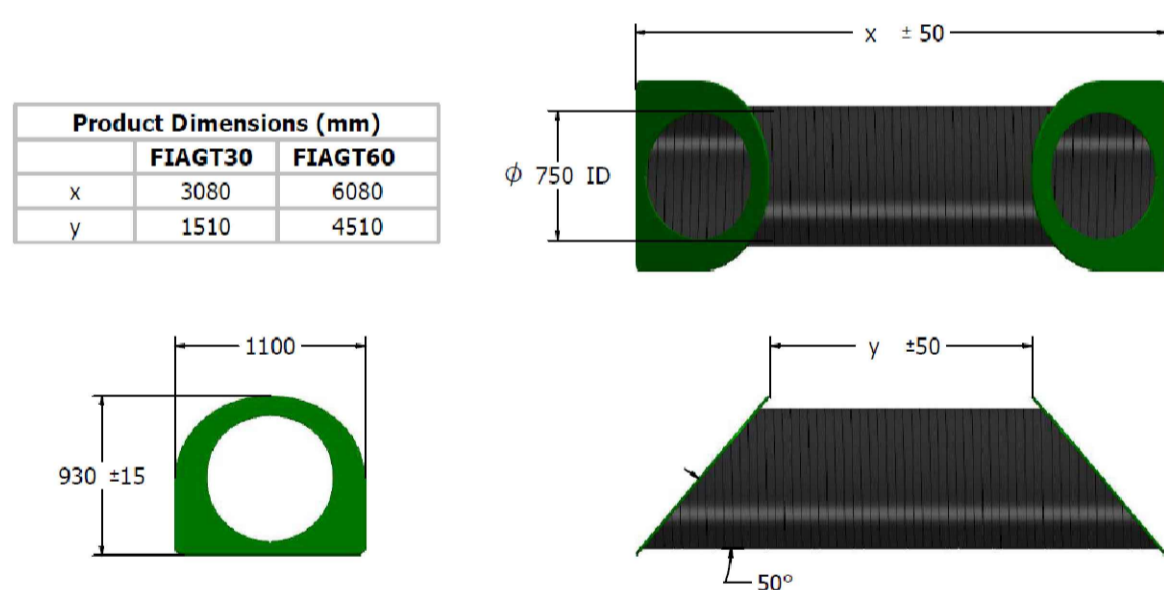
Section A Scale 1:20



Section B Scale 1:20

Item 1: Play Tunnel

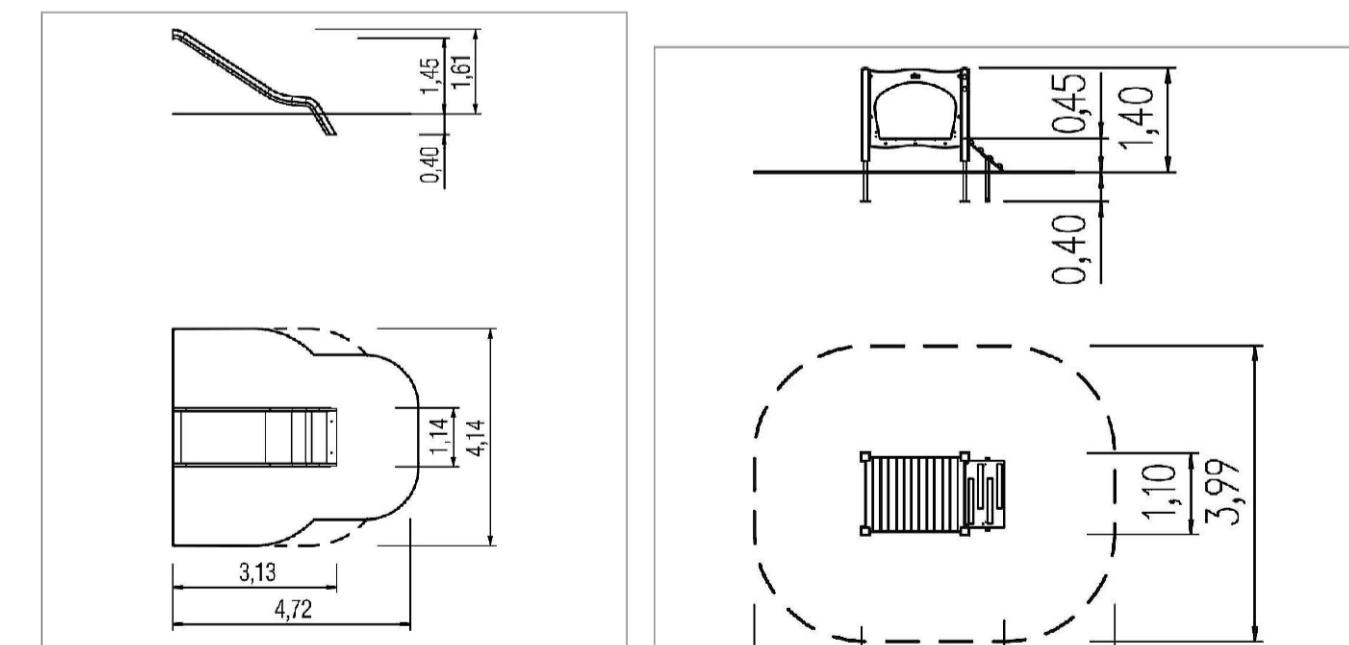
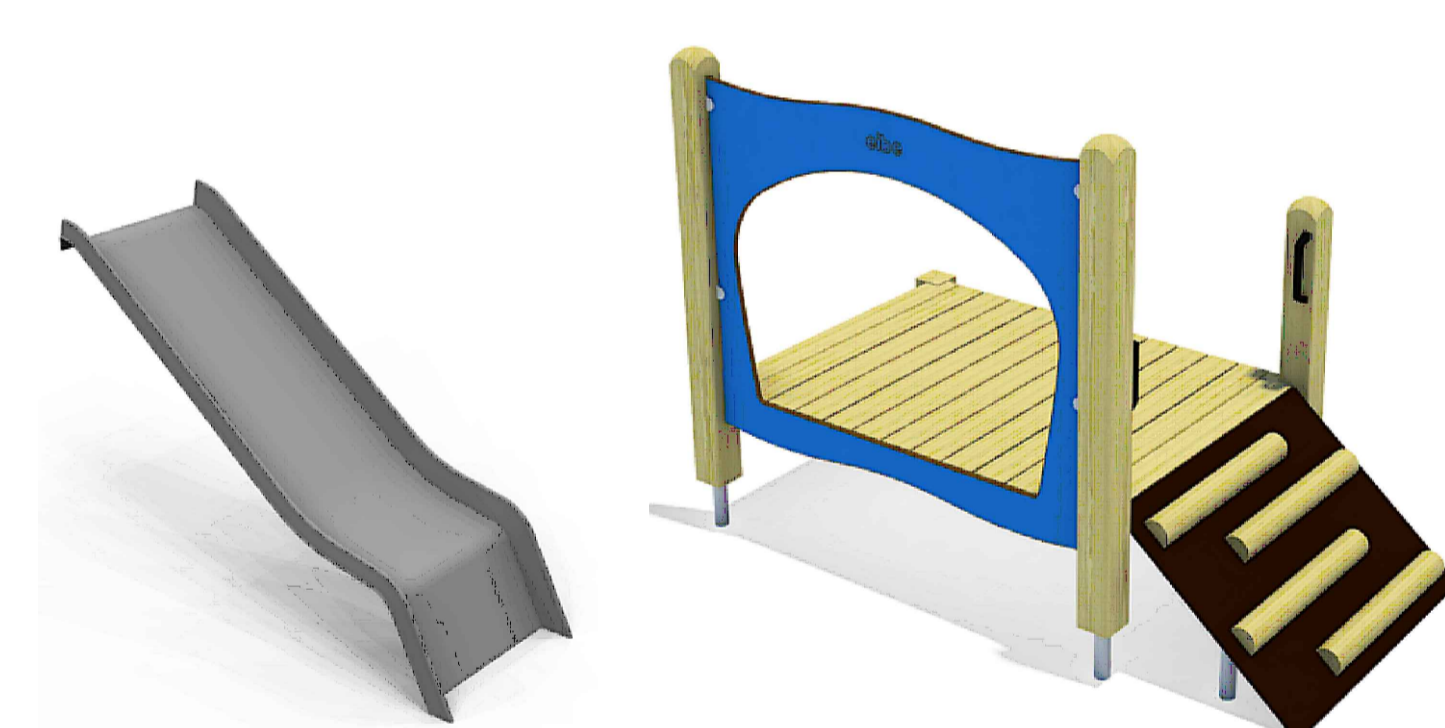
Underground Tunnel with angled entry points



Material: Design Panel - High Density Polyethylene (HDPE) with orange peel texture finish Heavy Duty Pipe - Heavy duty HDPE pipe with smooth finish

Colour Choices: Design Panel - Broad selection available, visit the website below for further details Heavy Duty Pipe - Black

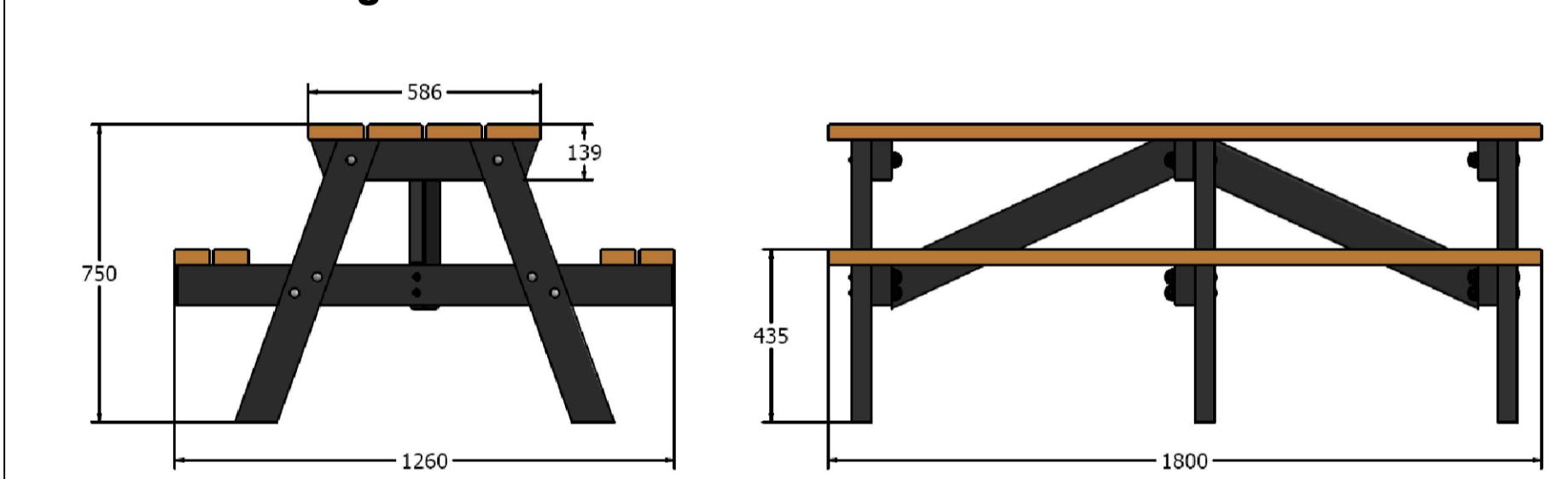
Item 2: Platform and Embankment Slide



| | |
|-----------------------|---------------------|
| Material | GFRP grey |
| Foundation level | FL 1 |
| Minimum space | 455x415x325 cm |
| Free falling height | 145 cm |
| Impact protection net | 18,5 m ² |
| Foundations | 1x CF or 1x PFs |
| Assembly | 2 persons/1 h |
| Largest section | 375x114x45 cm |
| Heaviest section | 53 kg |



Item 3 : Seating



| | |
|----------------|---|
| Age Range: | 11+ Years |
| Largest Part: | Table Top Sub-assembly - 1800x596x139mm |
| Heaviest Part: | Table Top Sub-assembly - Approx. 35kg |
| Total Weight: | Approx. 102kg |
| Surfacing: | N/A |

| Minimum Inspection Schedule | |
|-----------------------------|----------------------|
| Inspection Type | Inspection Frequency |
| Visual | Every Month |
| Functionality | Every Month |
| Comprehensive | Every 6 Months |

Material: Recycled Profiles - Made from 100% recycled plastic with a heavy textured finish LumbeRock - Made from 100% recycled HDPE milk bottles with a wood grain finish on top face (tabletop only)

Colour Choices: Recycled Profiles - Black as Standard LumbeRock - Cedar as standard (other colours available on request)



Designed to British & European Standards BS EN 1176